

Correct installation is required to ensure safe operation. The requirements for heat pumps include the following:

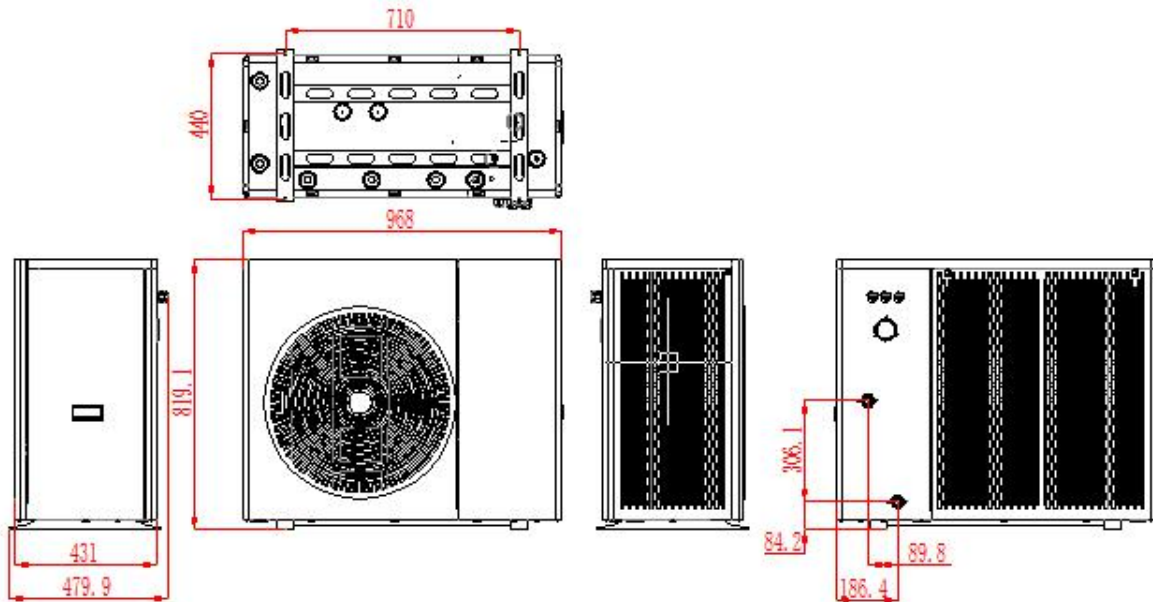
1. Dimensions for critical connections.
2. Field assembly (if required).
3. Appropriate site location and clearances.
4. Proper electrical wiring.
5. Adequate water flow.

This manual provides the information needed to meet these requirements. Review all application and installation procedures completely before continuing the installation.

### Dimension:

Unit:mm

#### PW030-DKZLRS-A



#### PW040-DKZLRS-A

